

**PREMDOR<sup>®</sup>**

Following installation, this document should be retained and passed on to the property owner.

## Installation Guide



The smart way to  
**Meet Regulations.**  
**Be Safe.**  
**Be Secure.**



**SOUNDSECURE**

FD30 & FD60 SECURED BY DESIGN INTERNAL APARTMENT ENTRANCE DOORSETS

Please read the following guidelines in full before beginning the installation...

## 1. Surveying

1a. Check that the opening is defect free and that there is no more than a 10mm variance on the diagonal measurements.

1b. Measure the opening at three points on the width and height. The smaller of each is the measurement that is used to determine the aperture size.

1c. When ordering, please specify the standard manufacturing size (which ideally is the aperture, less 10mm height and width).

1d. Check that the internal dimensions of the opening allow the full opening of the door, and that the door will not be impeded by plaster, render or floor covering.

## 2. Pre-installation

### 2a. Check the specification

Before commencing the installation, make sure that the doorset delivered is as required and as specified on the order acknowledgement documentation. Doors not matching the order acknowledgement will not be accepted for return if they have been cut into or otherwise reworked. Check for damage in transit.

Any damage must be reported within the timescales stated in the Terms and Conditions in the current Premdor Range Guide.

### 2b. Check the fitments

Secured by Design doorsets are supplied fully prepared with three point espagnolette lock, ironmongery and fittings. Some components may be supplied loose for site fixing. Please check all packaging carefully to avoid any item being discarded in error.

Cill thresholds when ordered are also supplied loose for on site fitting. Where the customer or installer uses components not supplied by us, we strongly advise that these be of high quality and fully guaranteed by the supplier.

In the case of letterplates, they must be correctly fire rated, sleeved and draught-proofed. Poor fitting or lower quality fitments may result in draughts or defects, which diminish the heat retention capability and durability of the doorset and may invalidate the guarantees.

## 3. Installation of doorsets

### 3a. Check the dimensions

Make sure that the opening is of suitable size for the doorset. The dimensions of the opening should be at least 5mm greater than the outer dimensions of the doorset on all four sides. Take several measurements of the width and height to ensure that the dimensions are constant. Do not force the doorset into position as distortion or damage may occur.

Softwood and hardwood doorframes may be planned slightly to make them fit.

The Ecoframe door frame cannot be planned to fit. If the Ecoframe doorset will not fit the opening the opening must be adjusted to accommodate the Ecoframe.

### 3b. Installing

The doorset must be installed as a complete unit. Use the door as a template to "square" the door frame position, removing it only to allow for final fixing, decoration or protection. All packers between door and frame should be left in situ while fitting and only removed once frame has been fitted squarely into opening.

### 3c. Important notes

- Regardless of fixing method – screws, bolts, or straps – packing must be inserted between the frame and the wall at the fixing point. This will avoid frame distortion.
- It is also important to ensure that a packing piece is placed immediately behind the three lock striker plates where they are positioned in the frame.
- Frame to wall fixings must be made immediately above and below the three striker plates and above and below the three hinges. i.e. four fixings per side. See diagram on page 4.
- After fixing is complete, ensure that the door makes full and uniform contact with the edge seals. Check the diagonals and ensure that no distortion or twisting has occurred during installation. Check also that the door does not "bind" on the frame when it is being opened or closed.
- We recommend the use of plastic sheathed fixing bolts (M10 x 100mm min).

- Where fixing bolts are used, the holes should be predrilled through the frame at the distances shown in the diagram on page 4.

- For a timber frame or Ecoframe use an ordinary drill to make a clearance hole in the frame and then a suitable masonry bit to drill 100mm into masonry.

- With a suitable masonry drill, bore a hole 100mm into the masonry. Take care not to over tighten when screwing home as this may cause cracking and distortion.

- After final fitting gaps between door frame and wall must be filled with suitable fire resistant infill and sealant capping.

Please note, some movement within timber door leaves may occur after installation.

### 3d. Finishing of doorset installation

Make sure that the door leaf opens and closes properly and the locking system operates smoothly. Also check that edge seals make full contact with the door at all points. If needed the keeps can be adjusted using a T15 Torx bit.

For Secured by Design doorsets, the handles supplied can be fitted to give either split spindle or solid spindle mode of operation. Please read the instructions supplied with the door handles.

Where possible users should engage the three security door bolts by lifting the handle when the door is in the closed position. We recommend that this is done even if it is left unlocked. Not only is this good security practice when locked but it is essential to ensure a good perimeter seal.

Unfinished doorsets should be painted immediately after installation using a good quality paint system in accordance with the paint manufacturer's instructions. This should be a three coat system - primer, basecoat and topcoat.

Ecoframe is supplied fully finished in white and does not need painting. The door may however need painting. The protective film on the Ecoframe should be removed as soon as possible after installation.

#### 4. Re-sealing worked edges and staining

If it is necessary to cut, plane or sand a door for any reason, it is essential that the worked edges are immediately re-sealed with a primer, basecoat and topcoat. Failure to do so will invalidate the guarantee.

#### 5. Cleaning

Should any surface require cleaning after installation is complete, use a damp cloth or mild soapy water. Do not use any industrial or abrasive cleaners.

#### 6. Ironmongery Fixing

To minimise risk of damage and for ease of handling, some items of ironmongery for this doorset may be delivered loose. This may include the door handles, security chain, lock cylinder and cylinder guard.

#### 6a. Door Locks

Premdor doorsets are fitted with a three point espagnolette lock system that can be used for either "solid" or "split" mode of operation.

See instructions enclosed with the handles.

In the "split" spindle mode, entry can only be gained from the outside by using a key. The handle only opens the door from the inside.

Please ensure that you chose the correct mode of operation to meet the local regulations.

#### 6b. Lock Cylinder

The lock cylinder is supplied loose and needs to be carefully located and fixed into the factory fitted lock case. For Secured by Design the cylinder guard, supplied loose, must be fitted. See instructions enclosed with the cylinder and cylinder guard (Lock & Latch Fitting Guide).

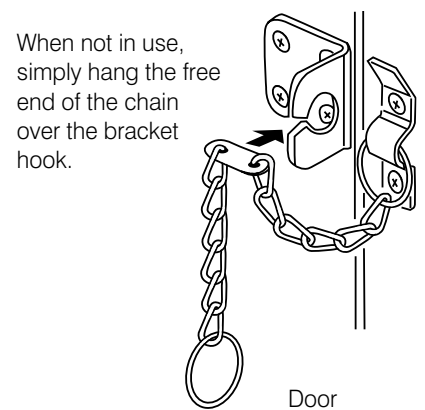
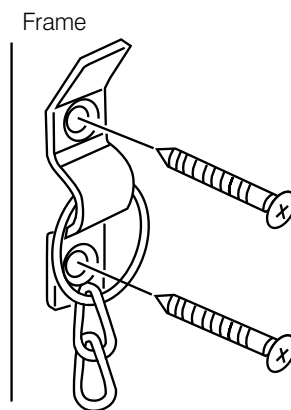
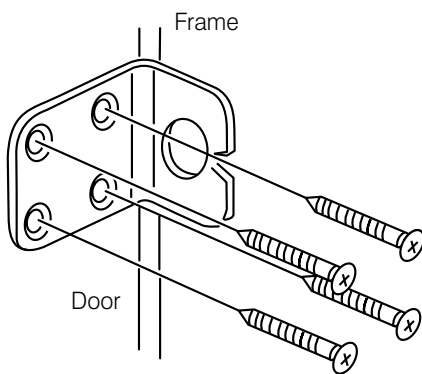
#### 6c. Door Handles

Identify the exterior handle – this is the handle with no screw holes.

Before fixing ensure that the correct latch spindle is inserted (See note 6a Door Locks - 'solid' or 'split' spindle.)

To fix handles locate one handle into position aligning it accurately with the lock cylinder and latch Spindle. Position the other handle. Ensure that the handles are vertically positioned and not distorting either the cylinder or spindle. Once the handles are in position, pass the two handle fixing screws through the inner handle face plate into the pre drilled holes in the door face. Thread the screws through and tighten them both in to the outer handle, until the handles are drawn tightly up on to the door.

#### 6d. Security Door Chain Assembly (if supplied)



i) Position the chainholder angled bracket at the \*desired height on the inside door face. Inset it 20mm from the closing edge of the door.

\* The recommended position is 700mm down from the top of the door. Ensure that it is located squarely and mark the four screw fixing points through the bracket. At the screw points drill pilot holes then fix firmly using the screws provided.

ii) Position and fix the chain holder on to the door frame adjacent to the angle bracket, using the two screws provided. Before fixing, hook one of the chain end rings behind the holder bracket and then screw the holder firmly back.

iii) To use the security chain: when the door is closed, simply slide the flat link in the chain into the door angle bracket and thread the chain through. Remove in the same way.

Please note: Failure to implement the instructions shown above and overleaf will invalidate your guarantee. Premdor is not liable for remedial work required as a result of incorrect installation of doorsets.

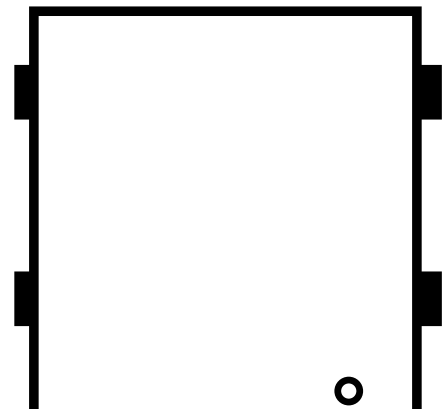
# Doorset Installation



1. Offer the doorset up to the opening.



2. Hold the frame in place using wedges, ensuring the frame is square. A large (5ft/1.5m recommended) spirit level should be used to ensure that all jambs are square and plumb. Please note, the Ecoframe is supplied fully finished and care must be taken not to damage the surface of the frame during installation



3. After ensuring the hinge jamb is square and plumb by re-adjusting the wedges if necessary, fix the hinge jamb in four positions (as shown).



4. Close the door and position the closing jamb so that it makes full and uniform contact with the frame seal. Then fix (as step 3).



5. Cut off the wedges to align with the edge of the frame. Take care not to damage the surface of the Ecoframe.



6. Fill the gaps between the frame and wall with a suitable fire resistant infill and sealant capping.

## PREMDOR<sup>®</sup>

For installation support or further information

tel: 0844 209 0008

fax: 0844 371 5333

[www.premdor.co.uk](http://www.premdor.co.uk)