

# INSTRUCTIONS FOR INSTALLING BI-FOLD DOORS

## 1. DOOR AND FRAME DIMENSIONS

Bi-fold doors are designed to fit frames without a rebate i.e. "flat-jamb". If fitting into a door frame with a rebate (i.e. "stopped-jamb") the stops must be removed to allow the doors to open correctly. The door frame size is indicated on the external packaging. Please note the actual size of the door is smaller than the frame.

## 2. TRACK

Make sure that the head of the door frame and floor are reasonably level before fixing the door. Fix the Track to the top of the frame so that it is set back 19mm from the front edge of the door frame. Ensure that the Pin Pivot Hole Bracket within the Track is next to the side of the frame where the door will pivot.

Note: When fitting a 2 door set (pair), install the Tracks so that the Pin Pivot Hole Brackets within the Tracks are next to the door frame.

## 3. JAMB BRACKET

Screw the Bottom Jamb Bracket (1) unit to the pivot side of the frame directly below the track. Position the Bottom Jamb Bracket (1) so that the bottom of the bracket is 1980mm from the top of the Track. (Ensure padlock shaped Bottom Pivot Retainer (6a) is in position)

## 4. DOOR PIVOTS

Fit pivots into pre-drilled holes on the top and bottom of the door leaves. Fit the Serrated Bottom Pivot (6) at the bottom of the closing side. The Top Spring Pivot (4) at the top of the closing side. The Top Roller Pivot (5) to the top of the opening side.

## 5. FITTING THE DOOR(S)

Fit the door into the track by folding the doors and lifting the door to engage the Top Spring Pivot within Pin Pivot Hole Bracket (pre-fitted in the track) and then engage the serrated Bottom Pivot into the Bottom Pivot Bracket

## 6. VERTICAL ADJUSTMENT

Vertical adjustment is made by screwing the Bottom Pivot up or down to give a gap of 6mm between the top of the door and the bottom edge of the track.

**\*IMPORTANT\*** The top spring pivot pin must always be under tension or the leaf may fall from the frame. If necessary adjust the position of the Bottom Jam Bracket so that the Top Spring Pivot is in tension.

## 7. HORIZONTAL ADJUSTMENT

Horizontal adjustment is made by moving the padlock shaped Bottom Pin Retainer (6a) backwards and forwards within the Bottom Jam Bracket.

## 8. SPRING CLOSER UNIT

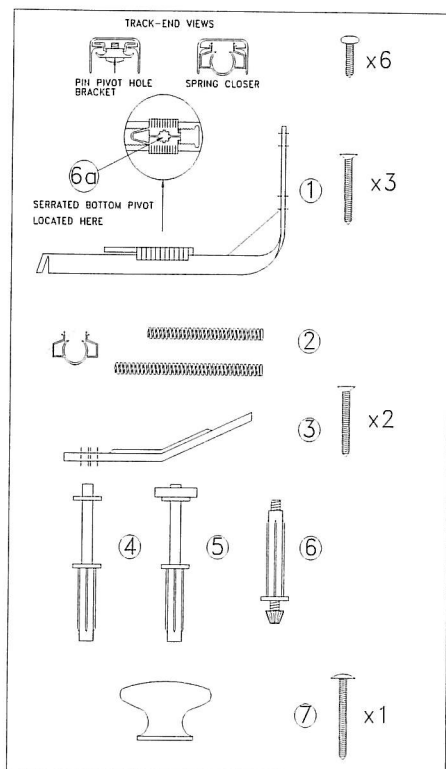
Clip the Spring Closer Unit (2) into the Track at the closing end where it will operate between the jamb and the Top Pivot Roller to hold the Bi-Fold closed (use the spring that best fits the gap)

## 9. DOOR KNOB

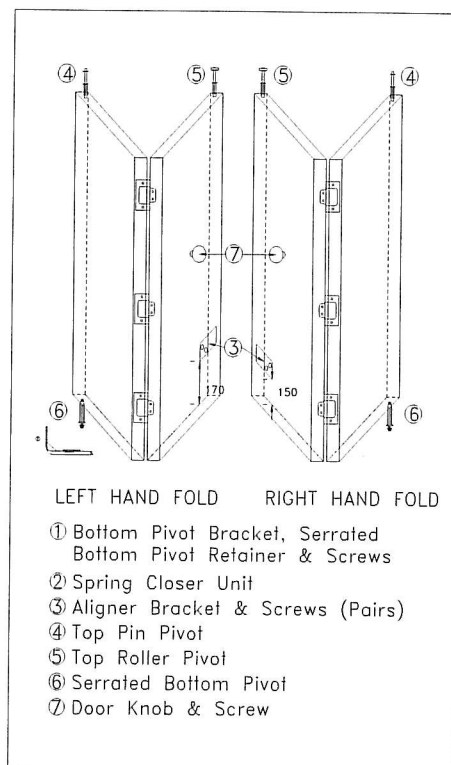
Fit the Door Knob (7) to the centre of the lock rail on the closing leaf of the door.

## 9. ALIGNER FOR PAIRS

Fasten the aligners (3) to the back side of the doors 150mm & 170mm from the bottom of the doors so that they mesh together when the doors are closed



Hardware Pack



Bi-Fold Diagram